

STAINLESS STEEL WORKTABLES

FF-SERIES— FLAT TOP FULLY ENCLOSED WORKTABLE W/ UNDERSHELF

PROJECT#: _____

ITEM# _____

MODEL# _____

SPECIFICATIONS:

ECONOMY— EFF-Series: 400 Series Stainless Top, 400 Series Stainless Body & 400 Series Stainless Undershelf

TOP: 16 GA.
400 Series Stainless

SHELF: 18 GA.
400 Series Stainless

BODY & DOORS: 20 GA.
400 Series Stainless

LEGS: 1 1/2" Square
Tubular Stainless Steel

STANDARD— SFF-Series: 300 Series Stainless Top, 300 Series Stainless Body & 300 Series Stainless Undershelf

TOP: 16 GA.
300 Series Stainless

SHELF: 18 GA.
300 Series Stainless

BODY & DOORS: 20 GA.
300 Series Stainless

LEGS: 1 1/2" Square
Tubular Stainless Steel

HEAVY DUTY— HFF-Series: 300 Series Stainless Top, 300 Series Stainless Body & 300 Series Stainless Undershelf

TOP: 14 GA.
300 Series Stainless

SHELF: 16 GA.
300 Series Stainless

BODY & DOORS: 18 GA.
300 Series Stainless

LEGS: 1 1/2" Square
Tubular Stainless Steel

CONSTRUCTION:

- ◆ All Table Connection Points Fully Welded for Maximum Rigidity and Long Life
- ◆ S/S Adjustable Bullet Feet
- ◆ Sound Deadening Between Top and Reinforcing Channel
- ◆ Stainless Steel Sliding Doors Mounted to Glides with Rollers for Easy Opening and Closing
- ◆ Offsets on Body Ends for Flush Fit
- ◆ S/S Undershelf Welded to Legs
- ◆ Table is Polished to #3 Finish
- ◆ Working Height 35" to 36 1/4"

○ Amtekco Industries - Columbus, OH —Phone: (800) 336-4677

○ N. Wasserstrom & Sons - Columbus, OH —Phone: (800) 444-4697

○ DCS IV - Peoria, AZ—Phone: (800) 592-3274

○ GEN III - Fountain Inn, SC—Phone: (800)673-3339

○ GKS - Garland, TX—Phone (972) 485-4579

SPECIFICATIONS SUBJECT TO CHANGE WITHOUT NOTICE 01/09

ECONOMY - EFF - SERIES						
24" WIDE	QTY	30" WIDE	QTY	36" WIDE	QTY	LENGTH (INCHES)
EFF-2424		EFF-3024		EFF-3624		24
EFF-2430		EFF-3030		EFF-3630		30
EFF-2436		EFF-3036		EFF-3636		36
EFF-2442		EFF-3042		EFF-3642		42
EFF-2448		EFF-3048		EFF-3648		48
EFF-2454		EFF-3054		EFF-3654		54
EFF-2460		EFF-3060		EFF-3660		60
EFF-2466		EFF-3066		EFF-3666		66
EFF-2472		EFF-3072		EFF-3672		72
EFF-2478		EFF-3078		EFF-3678		78
EFF-2484		EFF-3084		EFF-3684		84
EFF-2490		EFF-3090		EFF-3690		90
EFF-2496		EFF-3096		EFF-3696		96
EFF-24102		EFF-30102		EFF-36102		102
EFF-24108		EFF-30108		EFF-36108		108
EFF-24114		EFF-30114		EFF-36114		114
EFF-24120		EFF-30120		EFF-36120		120
STANDARD - SFF - SERIES						
24" WIDE	QTY	30" WIDE	QTY	36" WIDE	QTY	LENGTH (INCHES)
SFF-2424		SFF-3024		SFF-3624		24
SFF-2430		SFF-3030		SFF-3630		30
SFF-2436		SFF-3036		SFF-3636		36
SFF-2442		SFF-3042		SFF-3642		42
SFF-2448		SFF-3048		SFF-3648		48
SFF-2454		SFF-3054		SFF-3654		54
SFF-2460		SFF-3060		SFF-3660		60
SFF-2466		SFF-3066		SFF-3666		66
SFF-2472		SFF-3072		SFF-3672		72
SFF-2478		SFF-3078		SFF-3678		78
SFF-2484		SFF-3084		SFF-3684		84
SFF-2490		SFF-3090		SFF-3690		90
SFF-2496		SFF-3096		SFF-3696		96
SFF-24102		SFF-30102		SFF-36102		102
SFF-24108		SFF-30108		SFF-36108		108
SFF-24114		SFF-30114		SFF-36114		114
SFF-24120		SFF-30120		SFF-36120		120
HEAVY DUTY - HFF - SERIES						
24" WIDE	QTY	30" WIDE	QTY	36" WIDE	QTY	LENGTH (INCHES)
HFF-2424		HFF-3024		HFF-3624		24
HFF-2430		HFF-3030		HFF-3630		30
HFF-2436		HFF-3036		HFF-3636		36
HFF-2442		HFF-3042		HFF-3642		42
HFF-2448		HFF-3048		HFF-3648		48
HFF-2454		HFF-3054		HFF-3654		54
HFF-2460		HFF-3060		HFF-3660		60
HFF-2466		HFF-3066		HFF-3666		66
HFF-2472		HFF-3072		HFF-3672		72
HFF-2478		HFF-3078		HFF-3678		78
HFF-2484		HFF-3084		HFF-3684		84
HFF-2490		HFF-3090		HFF-3690		90
HFF-2496		HFF-3096		HFF-3696		96
HFF-24102		HFF-30102		HFF-36102		102
HFF-24108		HFF-30108		HFF-36108		108
HFF-24114		HFF-30114		HFF-36114		114
HFF-24120		HFF-30120		HFF-36120		120

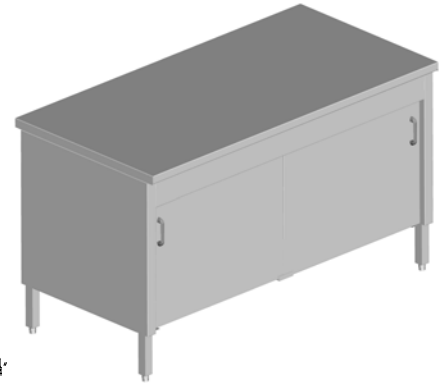
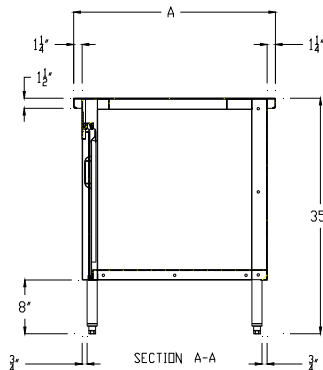
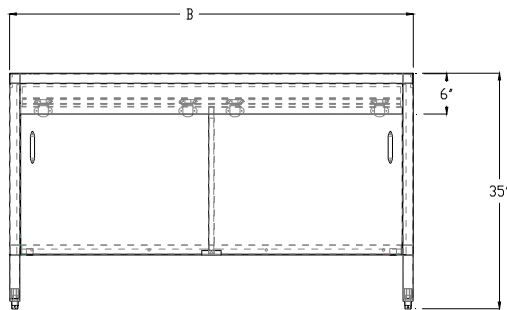
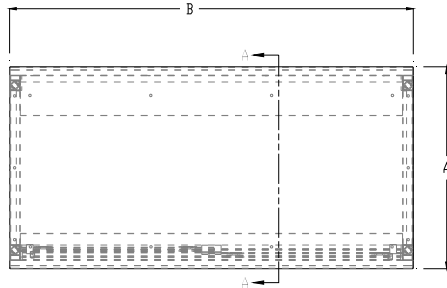
STAINLESS STEEL WORKTABLES

FF-SERIES — FLAT TOP FULLY ENCLOSED WORKTABLE W/ UNDERSHELF

PROJECT#: _____

ITEM# _____

MODEL# _____



- ◆ 35" Working Height is with Adj. Bullet Feet in Shortest Position
- ◆ Tables At or Above 78" Will Require (3) Sets of Legs.

A WIDTH	B LENGTH	EFF - SERIES 16 GA. 400 SERIES S/S TOP & 18 GA. 400 SERIES S/S UNDERSHELF	SFF - SERIES 16 GA. 300 SERIES S/S TOP & 18 GA. 300 SERIES S/S UNDERSHELF	HFF - SERIES 14 GA. 300 SERIES S/S TOP & 16 GA. 300 SERIES S/S UNDERSHELF	#Of Legs	Product Weight (lbs)
24" WIDE						
24	24	EFF-2424	SFF-2424	HFF-2424	4	96
24	30	EFF-2430	SFF-2430	HFF-2430	4	118
24	36	EFF-2436	SFF-2436	HFF-2436	4	139
24	48	EFF-2448	SFF-2448	HFF-2448	4	166
24	60	EFF-2460	SFF-2460	HFF-2460	4	194
24	72	EFF-2472	SFF-2472	HFF-2472	4	222
24	84	EFF-2484	SFF-2484	HFF-2484	6	249
24	96	EFF-2496	SFF-2496	HFF-2496	6	277
24	108	EFF-24108	SFF-24108	HFF-24108	6	304
24	120	EFF-24120	SFF-24120	HFF-24120	6	332
30" WIDE						
30	24	EFF-3024	SFF-3024	HFF-3024	4	89
30	30	EFF-3030	SFF-3030	HFF-3030	4	113
30	36	EFF-3036	SFF-3036	HFF-3036	4	136
30	48	EFF-3048	SFF-3048	HFF-3048	4	165
30	60	EFF-3060	SFF-3060	HFF-3060	4	195
30	72	EFF-3072	SFF-3072	HFF-3072	4	225
30	84	EFF-3084	SFF-3084	HFF-3084	6	254
30	96	EFF-3096	SFF-3096	HFF-3096	6	284
30	108	EFF-30108	SFF-30108	HFF-30108	6	313
30	120	EFF-30120	SFF-30120	HFF-30120	6	343
36" WIDE						
36	24	EFF-3624	SFF-3624	HFF-3624	4	114
36	30	EFF-3630	SFF-3630	HFF-3630	4	141
36	36	EFF-3636	SFF-3636	HFF-3636	4	167
36	48	EFF-3648	SFF-3648	HFF-3648	4	199
36	60	EFF-3660	SFF-3660	HFF-3660	4	232
36	72	EFF-3672	SFF-3672	HFF-3672	4	265
36	84	EFF-3684	SFF-3684	HFF-3684	6	297
36	96	EFF-3696	SFF-3696	HFF-3696	6	330
36	108	EFF-36108	SFF-36108	HFF-36108	6	362
36	120	EFF-36120	SFF-36120	HFF-36120	6	395